



## Overview

The TR series embedded open frame touch monitors with multi-point (10 points) projected capacitive (PCAP) touch screen deliver an industrial-grade & reliable solution with wide-angle viewing, outstanding image clarity & accurate touch response that is cost-effective for OEMs and systems integrators. Embedded eye-catching & rugged bezel with edge-to-edge glass and ultra-thin & ultra-narrow edge structure design with patent delivers flat design self-service terminals with high durability and scratch & water resistance. Landscape, portrait and face-up orientation ensures flexible mounting possibilities in almost any installation. Our TR series product line is available in a wide range of sizes, offering the versatility needed for commercial kiosk applications from self-service and gaming to industrial automation, digital signage & healthcare.



## Features

### Embedded Design

Edge-to-edge glass design ensures seamless and flat integration

### Easy to Use

Plug & play, flexible video input interface

### Full HD

1920 x 1080 resolution

### Reliable and Professional Design

Elegant design with metal structure & plastic front bezel delivers outstanding image clarity

### Touch Through Enabled with PCAP

Accurate 10 points touch responses support touch through a front layer of glass with thickness's up to 5mm.

### Multi-touch

Support Windows multi-touch protocol

### Supported OS

Windows 7 /10, Android , Linux, Mac OS X

### Flexible Mounting

Different mounting holes & external brackets making flexible mounting possibilities in almost any installation

## Specifications

### Display

LED Panel	IPS, 13.3 inch
Backlight	E-LED (edge-lit)
Viewable Area	293.76*165.24mm
Brightness	300 cd/m <sup>2</sup>
Contrast Ratio	1200:1
Viewing Angle	170° H/V
Response Time	30ms (GTG)
Number of Colors	16.7M
Native Resolution	1920x1080 (16:9), FHD
Video Frequency	60Hz
Video Interface	VGA x1 / HDMI x1 / DVI x1
Input Resolution	1920 x 1080 @ 60Hz

### Touch

Touch Points	10 (HID, only with supported OS)
Touch Technology	Projective Capacitive (PCAP)
Touch Method	Finger, glove (latex)
	Active & passive stylus pen
Glass Overlay	3mm tempered glass
	Optional AG / AR surface finish
Water Resistance	Support touch in water fog and light rain
	Little drops of water will not cause drift
Calibration	No need calibration tools
Response Time	16ms
Report Rate	>100Hz
Touch Interface	USB (Type B) x1
Supported OS	Win 7 / 10 / Android / Linux / Mac

### OSD Function

OSD Controls	5 buttons
OSD Languages	CN, EN, FR, IT, DE
	ES, KR, RU, PT

### Mechanical

Product Dimension	334.1*221.7*39.7mm
Packing Dimension	413.4*336*145mm (1 PCS)
	442.7*325.5*317mm (4 PCS)
Weight(approx.)	2.2kg / 3.7kg
Wall Mount Method	VESA,MIS-D,75x75 mm,Y,4,90

### Power

Power Supply	DC in: DC 12V, connector: 5.5*2.5
Typical Power	≤ 20W (typ.)
Standby Power	≤ 0.5 W (typ.)

### Environmental

Operating T & H	0 °C ~ 50 °C, 90% RH
Storage T & H	-20 °C ~ 60 °C, 90% RH

### Accessories

Active Stylus Pen	Not included
Mounting Bracket	P/N: MB101156 x 4
Adapter	AC-DC, AC 100~240V 50/60hz
	DC 12V 3A, 5.5*2.5*10mm
External Speakers	L/R 4 pin red & black amplifier connector

### Other

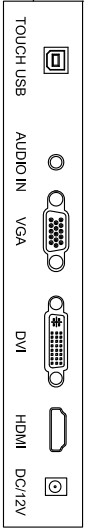
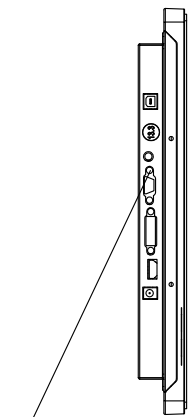
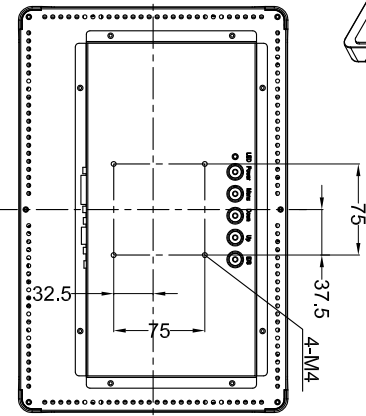
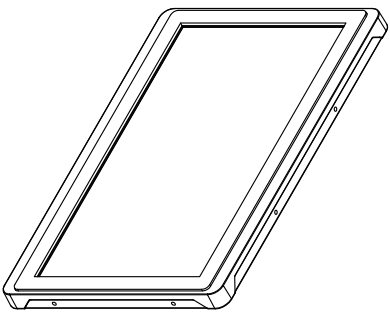
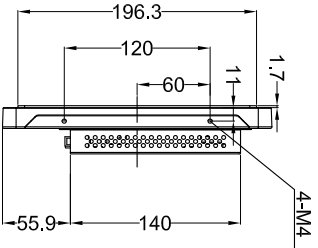
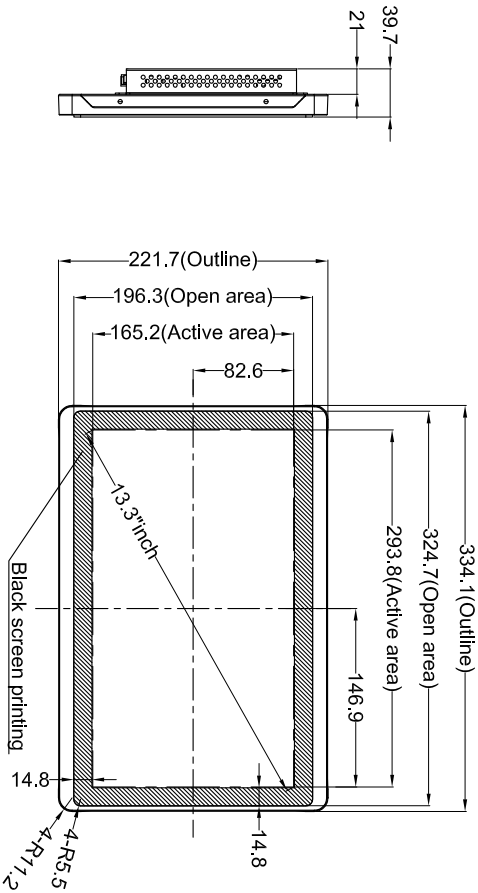
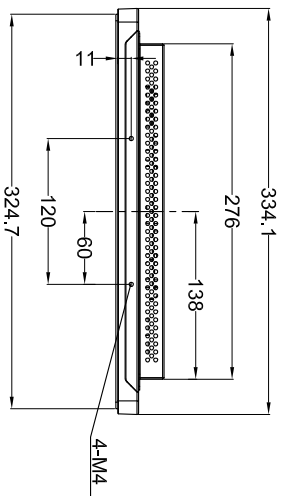
Ready for Use	24/7
Warranty	1 Year
Regulations	CCC, CE, FCC, CB, RoHS

## Shanghai Any-touch Technologies Co., Ltd.

Tel: +86(0)21 -58361091 /58361092  
 Service Hotline: 4006-211-510  
 Office Add: Room 6206-6207, Building 6, No.1687  
 Changyang Road, Yangpu District, Shanghai 200090, China  
 Factory Add: 1st floor, Building 10, No.3088 Shiji Road,  
 Luoxing Street, Jiashan County, Jiaxing, Zhejiang, China

## Beijing Branch

Tel: +86 (0)10-88177604  
 Add: Room 1001, Unit 5, Building 2, North 2<sup>nd</sup> District,  
 Tiantongyuan, Changping District, Beijing



Tolerance Table	
Dimension Range	Tolerance(mm)
Under 25 mm	0.1
25.1-100 mm	0.2
100.1-250 mm	0.4
250.1-400 mm	0.8
400.1-500 mm	1.5
500.1-630 mm	2.0
630.1-800 mm	2.5

**TOLERANCING**

UNLESS OTHERWISE SPECIFIED ALL DIMS ARE mm

X ±0.2 RADIUS ±0.15

XX ±0.1 ANGLES ±0.5°

DO NOT SCALE DRAWING

**Title:**

Design: Dal  
Date: 2017.12.11

Scale: NTS  
Sheet: 1 of 2

Rev	Date	Description	By
2			

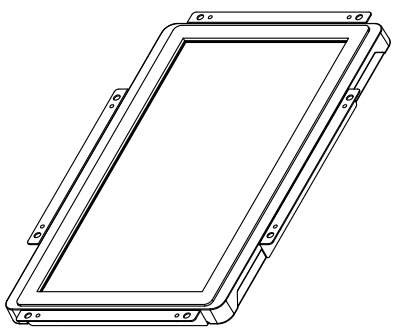
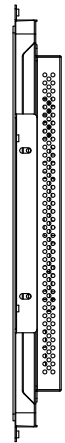
Ver: 01 THIRD ANGLE VIEW

A

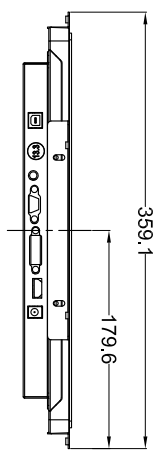
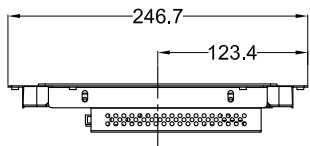
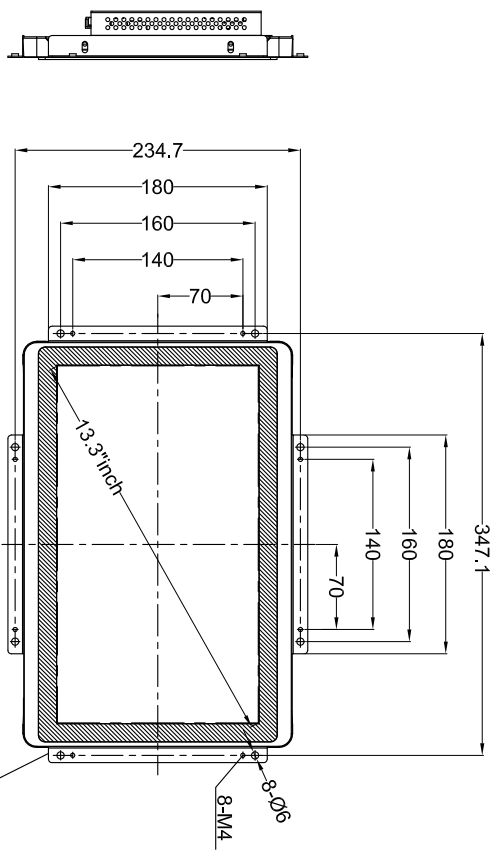
B

A

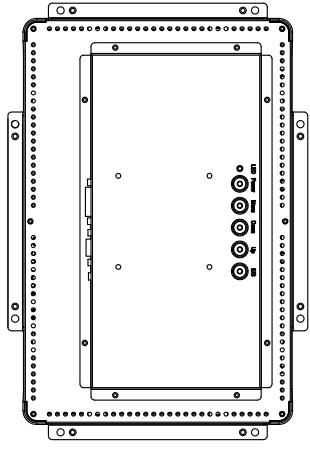
B



B



MOUNTING BRACKETS  
4xP/P/N MB101156



B

A

NOTE:  
MOUNTING BRACKETS KIT IS OPTION PARTS, PLEASE CONSULT LOCAL SALES.  
MOUNTING BRACKETS KIT (4 SETS INCLUDED), P/N MB101156  
图示中安装支架为选配件, P/N:MB101156, 下单前请咨询销售。

Tolerance Table	
Dimension Range	Tolerance(mm)
Under 25 mm	0.1
25.1-100 mm	0.2
100.1-250 mm	0.4
250.1-400 mm	0.8
400.1-500 mm	1.5
500.1-630 mm	2.0
630.1-800 mm	2.5

A

UNLESS OTHERWISE SPECIFIED ALL DIMS ARE mm  
**TOLERANCING**

x ±0.2      RADIUS ±0.15

xx ±0.1      ANGLES ±0.5°

DO NOT SCALE DRAWING

**Title:**

Designr:    Dait  
Date:    2017.12.11

Scale:    NTS  
Sheet:    2 of 2

Rev    Date

Description

By

Ver: 01



THIRD ANGLE VIEW