

WTM550TD

WTM-TD series split type of digital signage
With IR Multi-Touch Screen
and Edge-LED LCD Monitor

Ver:Jan2016_V1

PRODUCT DESCRIPTION

WTM-TD series digital signage consists of a standardized commercial touch monitor, integrated PC, compact chassis, and its internal module components, which make this product easy installation and maintenance and reliable performance. In addition, colorful stickers on the body can be customized to meet different locations' requirement. All of these above makes it be used in different places where touch application is required.



ADVANTAGES

Exterior design

Simple and sleek, ultra-ultra - thin narrow design
Simple and sleek design

True Multi-Touch Experience

Infrared touch surface with two, six or 32 simultaneous touch points. The durable touch system is the perfect choice to provide interactive display contents and interoperability to the viewer.

Independent module design

Both display module and PC module are easy to install and assemble

Various style

Customized chassis stickers, but also allows customers to design their own DIY, which make the product be used in various locations.

High quality LCD panel

Adopts energy saving E-LED, clear and high definition(1920 x 1080) LCD panel

Integrated industrial PC

offer the same industrial host, and a variety of low and medium-end CPU for option, to meet the different needs of customers.

Expanded Gesture Capability

Win 7 and TUIO Multi-touch protocol support, additional gesture software development tools and support are available to expand multi-touch functionality.

Perfect Various Operating System Support

Windows XP /7 /8, Android, Linux, Mac OS X

WTM550TD

WTM-TD series split type of digital signage
With IR Multi-Touch Screen
and Edge-LED LCD Monitor

Ver:Jan2016_V1

TECHNICAL SPECIFICATIONS LCD

> LCD Panel

Backlight	LED
Brightness	450 cd/m ²
Contrast Ratio	1100:1
Viewing Angle	H:178° / V:178°
Response Time	12 ms (GTG)
Supported Colors	16.7M Colors
Display Resolution	1920 x 1080 (16:9)
Display Frame Rate	60Hz
Input Resolution	1920 x 1080 @ 60Hz (Analog) 1920 x 1080 @ 60Hz (Digital)
Connector	2x HDMI / 1x VGA

> Mechanical

Dimensions	2000 x 789 x 470 mm
Package Dimension	2134 x 926 x 264 mm

Weight(approximately) 110 kg / 123 kg

> OSD Functions

OSD Control	Push Button, IR Remote Controller
OSD Language	English, Chinese

> Electrical

Power Supply	AC in: AC 100V ~ 240V (50/60 Hz)
Normal Operation	≤ 135W (typ.)
Power Off	≤ 2 W (typ.)
Internal Speaker	2x 8Ω/5W

> Environmental

Operation	0 °C ~ 40 °C, 90% RH
Storage	-20 °C ~ 60 °C, 90% RH

> Options

Touch Point	No touch/ 6 / 10 / 32
PC Support	D series

TECHNICAL SPECIFICATIONS TOUCH

Glass	4 mm ESG safety glass (optional with Anti-Glare (AG) or Anti-Reflective (AR) glass coatings)
Touch points	6,10 or 32 points (simultaneous)
Touch technology	Infrared
Touch method	Finger, gloved hand or any other pointer minimum radius 8 mm
Touch activation force	No pressure required
Calibration	Four-point calibration

Response time	< 15ms
Touch accuracy	+/- 3mm over the entire touch sensitive area, USB reported touch resolution 32767 x 32767
Connection	USB 2.0 (B socket)
Multi-touch protocol support	Win 7, TUIO, Flash TUIO
Operating System	Win XP, Vista, Win 7, Win 8, Android, Linux, Mac OS X

Shanghai Headquarter



TEL: +86 (0)21-58361091
400-621-1510

ADD: 4th Floor West, No. 8 Building, Saite Industrial Park,
No.1300 Jungong Road, Yangpu District
Shanghai, China



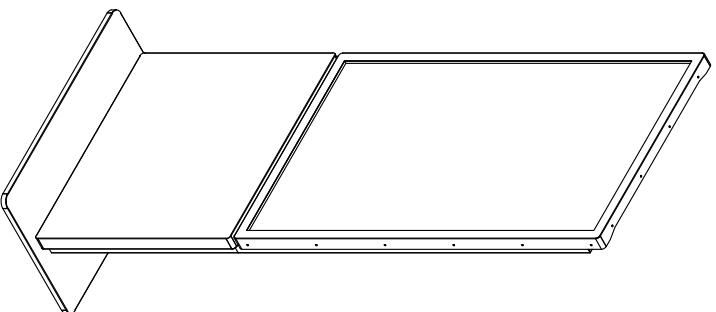
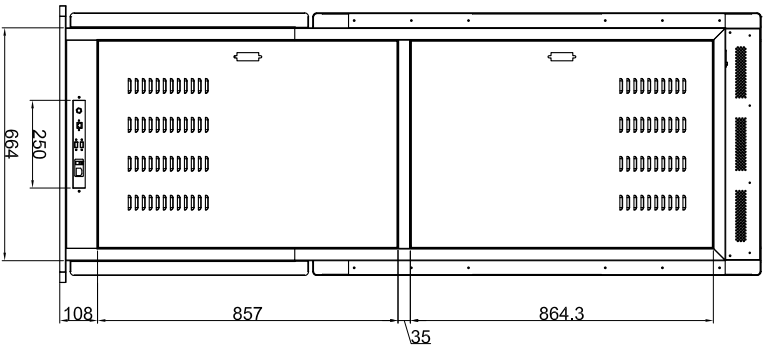
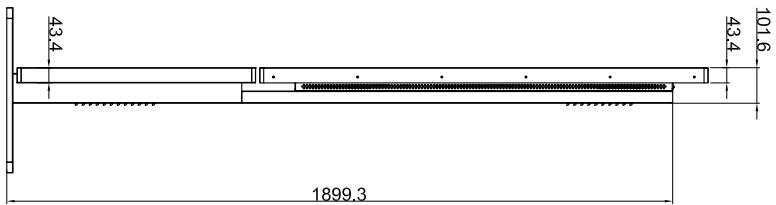
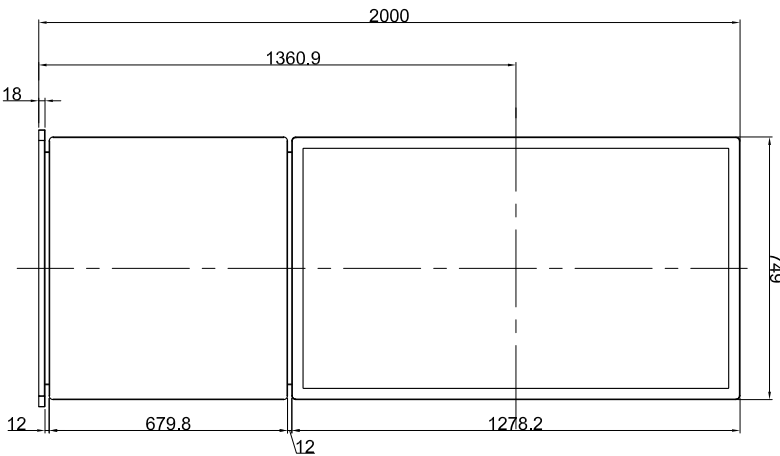
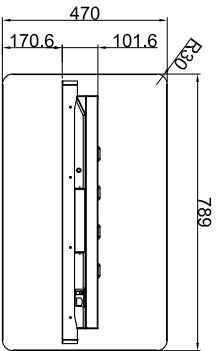
Learn more at: www.any-touch.com, email us at: sales@any-touch.com
Specifications subject to change without notice.
Copyright © 2016 Anytouch Technologies Co., LTD

Overseas Business



Contact window: Mr. Raymond Xie
Cell Phone: +86 (0)139 1188 2331
Skype: raymond_xie79
Mail Address: raymond@any-touch.com
Website: www.any-touch.net





Tolerance Table	
Dimension Range	Tolerance(mm)
Under 25 mm	0.1
25-1-100 mm	0.2
100-1-250 mm	0.4
250-1-400 mm	0.8
400-1-500 mm	1.5
500-1-630 mm	2.0
630-1-800 mm	2.5

TOLERANCING

UNLESS OTHERWISE SPECIFIED
ALL DIMS ARE mm

X ±0.2

RADIUS

XX ±0.1

ANGLES

DO NOT SCALE ±0.5°

Title:

WTM550TD-PUX

Design: dl

Material: SPCC

Date: 2014.05.19

Scale: NTS

Dwg. No:

Sheet: 1 of 2

Rev

Date

Description

By

2

1



THIRD ANGLE VIEW