

PRODUCT DESCRIPTION



WTM156TL is a multi-touch touch monitor based on PCT touch technology. It applies flat panel design, wide viewing angles and clear, crisp images. Its slim design makes more aesthetic, and high integration.

Typical Applications:

Amusement and Entertainment Device, KIOSK, Self-service Terminal, Interactive Digital Signage, Gambling Machine, E-desk, etc.

ADVANTAGES

Easy to Deploy

Plug-and-play. Adapts to universal power :12V DC.

High Definition

Full HD 1920 x 1080 resolution

Bearable and Professional Design

Totally metal construction and Aluminum frame
Graceful appearance. To emphasize the content facing users

Flexible Installation

VESA mount, heavy-duty stand gives you a choice of fixed or desktop mounting

Flat surface design

Provide a flat surface similar to iPhone. Water-proof design could ensure whole performance affected by moisture and dirt, also to improve the reliability and to extend the product life

PCT multi-touch film

Superior touch experience and a unique touch signal penetration performance, to ensure touch function working with or without gloves

Extended multi-touch gestures

Support Windows touch gesture package.

Perfect various operating system support

Windows 7 /8, Android , Linux

TECHNICAL SPECIFICATIONS LCD

> LCD Panel

Backlight	LED
Brightness	220 cd/m ²
Contrast Ratio	800:1
Viewing Angle	H:170° / V:170°
Response Time	35 ms (GTG)
Supported Colors	16.7M Colors
Display Resolution	1920 x 1080 (16:9)
Display Frame Rate	60Hz
Input Resolution	1920 x 1080 @ 60Hz (Analog) 1920 x 1080 @ 60Hz (Digital)
Connector	1x VGA /1x DVI /1x HDMI

> Mechanical

Dimensions	391.4 x 240.6x 47.1 mm
Package Dimension	TBD

Weight(approximately)	3 kg / 4 kg
Wall Mount Type	VESA,MIS-D,100,C

> OSD Functions

OSD Control	Push Button
OSD Language	English, Chinese

> Electrical

Power Supply	DC in: DC 12V (50/60 Hz)
Normal Operation	≤ 25W (typ.)
Power Off	≤ 2 W (typ.)
Internal Speaker	no

> Environmental

Operation	0 °C ~ 40 °C, 90% RH
Storage	-20 °C ~ 60 °C, 90% RH

> Options

Other	Wall mounts
-------	-------------

TECHNICAL SPECIFICATIONS TOUCH

Glass	3 mm Black silk screen,ESG
Touch points	10
Touch technology	Projected Capacitive (PCT)
Stylus type	Finger, gloved hand, conductive stylus
Water Resistance	Unaffected by water droplets or condensation

Calibration	No calibration tool
Response time	7ms - 12ms
Connection	USB 2.0 (B socket)
Multi-touch protocol support	Windows
Operating System	Win 7/8,Android,Linux

Shanghai Headquarter



TEL: +86 (0)21-58361091
400-621-1510
ADD: Room 6206-6207, Building 6, NO.1687 Changyang Road, Yangpu District ,Shanghai, China

Beijing Office



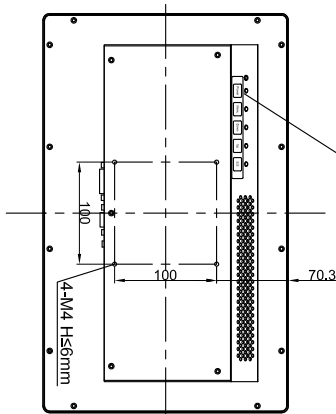
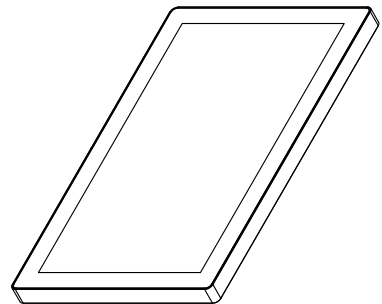
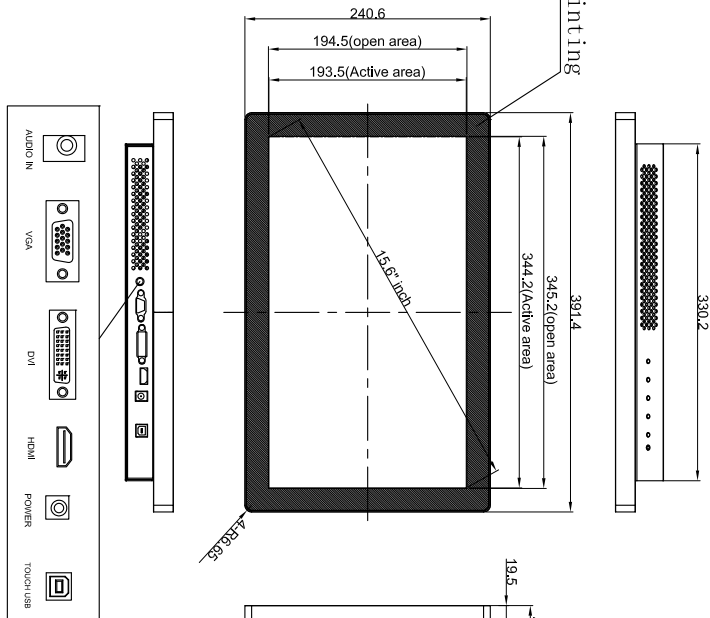
TEL: +86 (0) 10-81786110
ADD: Room 1001,Unit 5,Building 2, Tiantongyuan North Second District,Changping District,Beijing,China



Learn more at: www.any-touch.com ,email us at: sales@any-touch.com
Specifications subject to change without notice.
Copyright © 2017 Anytouch Technologies Co., LTD



Black screen printing



Dimension Range	Tolerance(mm)
Under 25 mm	0.1
25-1-100 mm	0.2
100-1-250 mm	0.4
250-1-400 mm	0.8
400-1-500 mm	1.5
500-1-630 mm	2.0
630-1-800 mm	2.5

Tolerance Table	
Dimension Range	Tolerance(mm)
Under 25 mm	0.1
25-1-100 mm	0.2
100-1-250 mm	0.4
250-1-400 mm	0.8
400-1-500 mm	1.5
500-1-630 mm	2.0
630-1-800 mm	2.5

TOLERANCING

UNLESS OTHERWISE SPECIFIED ALL DIMS ARE mm

X ±0.2 RADIUS ±0.15

XX ±0.1 ANGLES ±0.5°

DO NOT SCALE DRAWING

Title: **WTM156-CU**

Date: 2017.12.13

Scale: NTS

Sheet: 1 of 1

Ver.: 01



Rev

Date

2

Description

By

2

A

A

B

B