

WTM430TS

WTM-TS Series Monitor
With IR Multi-Touch Screen
and Edge-LED LCD Monitor

Ver:Dec2017_V1

PRODUCT DESCRIPTION



WTM430TS is a LED commercial grade multi-touch monitor. It applies sleek design, offers wide viewing angles and clear, crisp images. Unlike typical consumer TV or monitor, it has unique interactive display design, which not only brings customers a stronger visual impact, also brings customers unprecedented touch experience. This rugged and durable product can withstand the constant interactivity inherent in public access venues, and ideas for retail, self-service, hospitality, transportation, education, and healthcare.

Typical Application:

Amusement and Entertainment Equipment, KIOSK, Self service Terminal and Interactive Digital Signage, VTM and Way-finding machine, etc.

ADVANTAGES

Easy to Deploy

Standard signal interface (plug-and-play). Auto on after power on or signal inputting. System power on/off

High quality LCD panel

Adopts energy saving E-LED, clear and high definition(1920 x 1080) LCD panel

Durable and Professional Design

All metal structure, sleek & elegant design, that makes the product durable and stable

Flexible Installation

VESA mount, heavy-duty stand gives you a choice of fixed or desktop mounting

Internal Intel OPS Pluggable Computer

No additional space, high-degree system integration. Good thermal design to ensure the stability of PC

Multi-Touch Experiences

Support up to 10/32 touch points simultaneously. Suitable for medium or large size touch monitors

Extended multi-touch gestures

Support Win7, TUIO, Flash TUIO etc.

Perfect Various Operating System Supported

Windows XP /7 /8, Android , Linux, Mac OS X

TECHNICAL SPECIFICATIONS LCD

> LCD Panel

Backlight	LED
Brightness	450 cd/m ²
Contrast Ratio	1100:1
Viewing Angle	H:178° / V:178°
Response Time	12 ms (GTG)
Supported Colors	16.7M Colors
Display Resolution	1920 x 1080 (16:9)
Display Frame Rate	60Hz
Input Resolution	1920 x 1080 @ 60Hz (Analog) 1920 x 1080 @ 60Hz (Digital)
Connector	2x HDMI / 1x VGA

> Mechanical

Dimensions	1004.5 x 592.7 x 77.5 mm
Package Dimension	1132 x 200 x 776.7 mm
Weight(approximately)	26 kg/ 30 kg

Wall Mount Type VESA,MIS-F,400,Y,6,90

> OSD Functions

OSD Control	Push Button, IR Remote Controller
OSD Language	English, Chinese

> Electrical

Power Supply	AC in: AC 100V ~ 240V (50/60 Hz)
Normal Operation	≤ 55W (typ.)
Power Off	≤ 2 W (typ.)
Internal Speaker	2x 8Ω/5W

> Environmental

Operation	0 °C ~ 40 °C, 90% RH
Storage	-20 °C ~ 60 °C, 90% RH

> Options

Touch Point	10 / 32
Other	Metal Stands, Wall mounts
OPS PC Support	Yes

TECHNICAL SPECIFICATIONS TOUCH

Glass	4 mm ESG safety glass (optional with Anti-Glare (AG) or Anti-Reflective (AR) glass coatings)
Touch points	6,10 or 32 points (simultaneous)
Touch technology	Infrared
Touch method	Finger, gloved hand or any other pointer minimum radius 8 mm
Touch activation force	No pressure required

Response time	< 15ms
Touch accuracy	+/- 3mm over the entire touch sensitive area, USB reported touch resolution 32767 x 32767
Connection	USB 2.0 (B socket)
Multi-touch protocol support	Win 7, TUIO, Flash TUIO
Operating System	Win XP, Vista, Win 7, Win 8, Android, Linux, Mac OS X

Shanghai Headquarter



TEL: +86 (0)21-58361091
400-621-1510
ADD: Room 6206-6207, Building 6, NO.1687 Changyang Road, Yangpu District, Shanghai, China

Beijing Office



TEL: +86 (0) 10-81786110
ADD: Room 1001,Unit 5,Building 2, Tiantongyuan North Second District,Changping District,Beijing,China

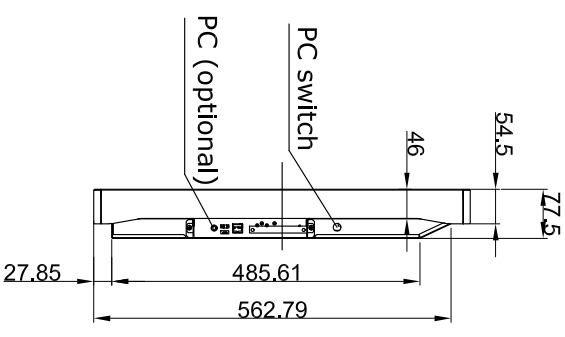
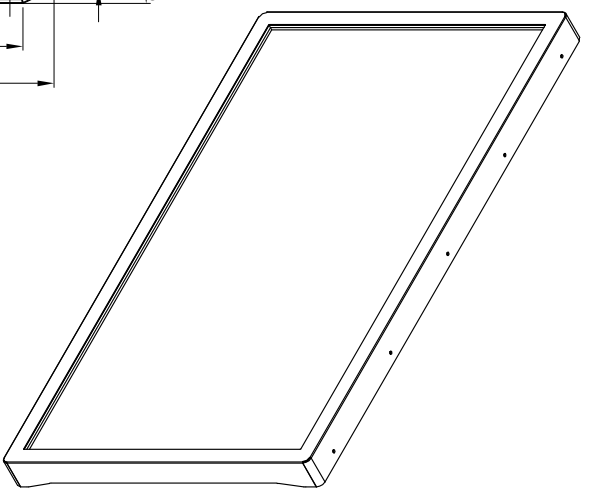
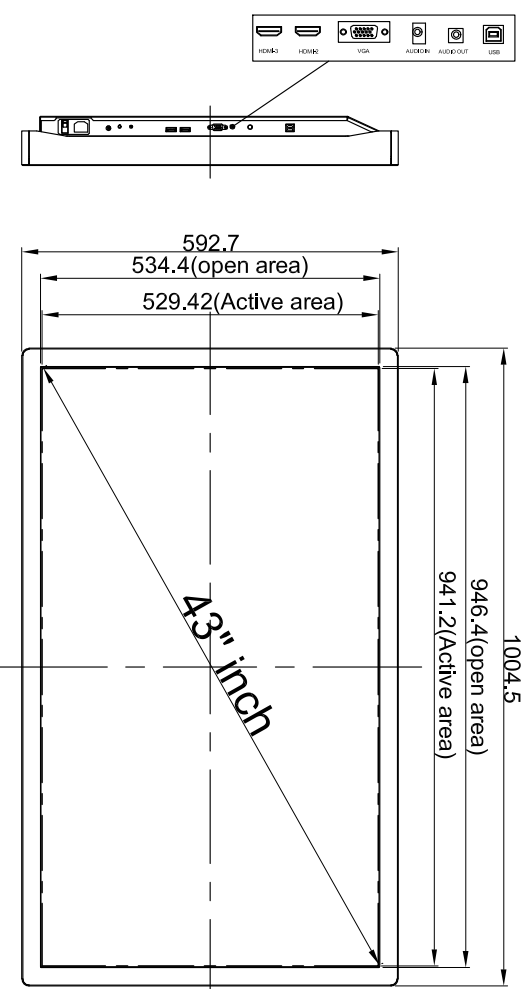
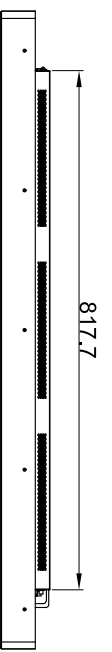


Learn more at: www.any-touch.com, email us at: sales@any-touch.com
Specifications subject to change without notice.
Copyright © 2017 Anytouch Technologies Co., LTD



2

1



Tolerance Table	
Dimension Range	Tolerance(mm)
Under 25 mm	0.1
25.1-100 mm	0.2
100.1-250 mm	0.4
250.1-400 mm	0.8
400.1-500 mm	1.5
500.1-630 mm	2.0
630.1-800 mm	2.5

TOLERANCING

UNLESS OTHERWISE SPECIFIED ALL DIMS ARE mm

X ±0.2 RADIUS ±0.15

.XX ±0.1 ANGLES ±0.5°

DO NOT SCALE DRAWING

Title: 43

Design: Material: SPCC

Date: 2017.12.13

Scale: NTS

Sheet: 1 of 2

Dwg No:

Var: 01



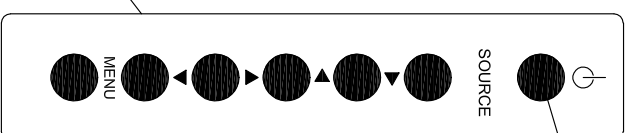
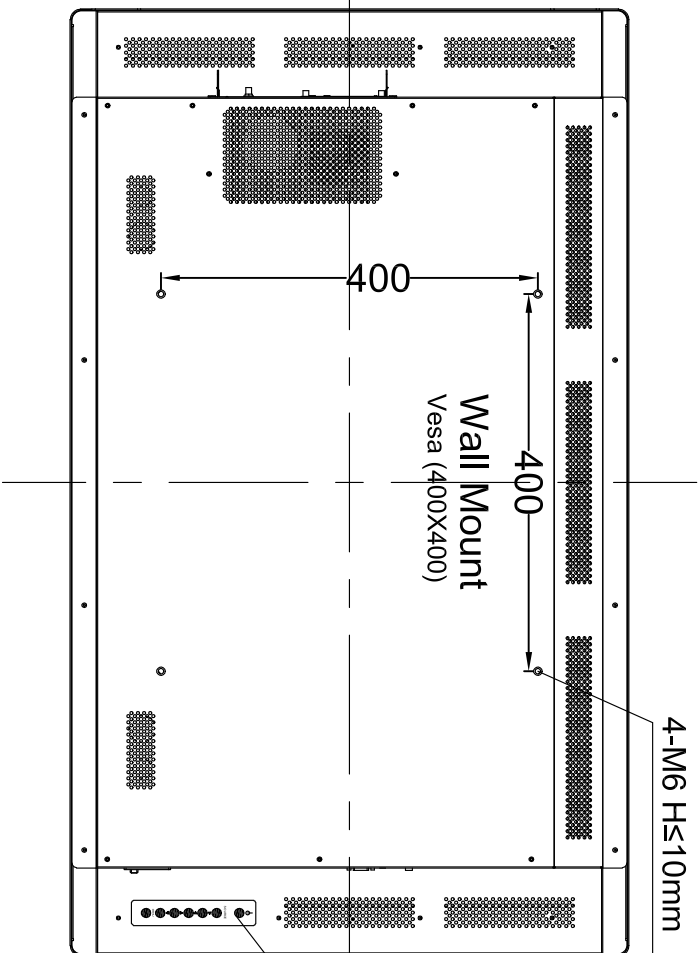
Rev	Date	Description	By

2

1

2

1



OSD

Tolerance Table

Dimension Range	Tolerance(mm)
Under 25 mm	0.1
25.1-100 mm	0.2
100.1-250 mm	0.4
250.1-400 mm	0.8
400.1-500 mm	1.5
500.1-630 mm	2.0
630.1-800 mm	2.5

TOLERANCING

UNLESS OTHERWISE SPECIFIED ALL DIMS ARE mm

X ±0.2

RADIUS ±0.15

.XX ±0.1

ANGLES ±0.5°

DO NOT SCALE DRAWING

Title: 43

Design:

Date: 2017.12.13

Material: SPCC

Scale: NTS

Date: 2017.12.13

Sheet: 2 of 2

Var: 01

Dwg No:



A

B

A

B

Rev	Date	Description	By

2

1