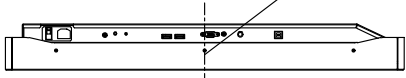
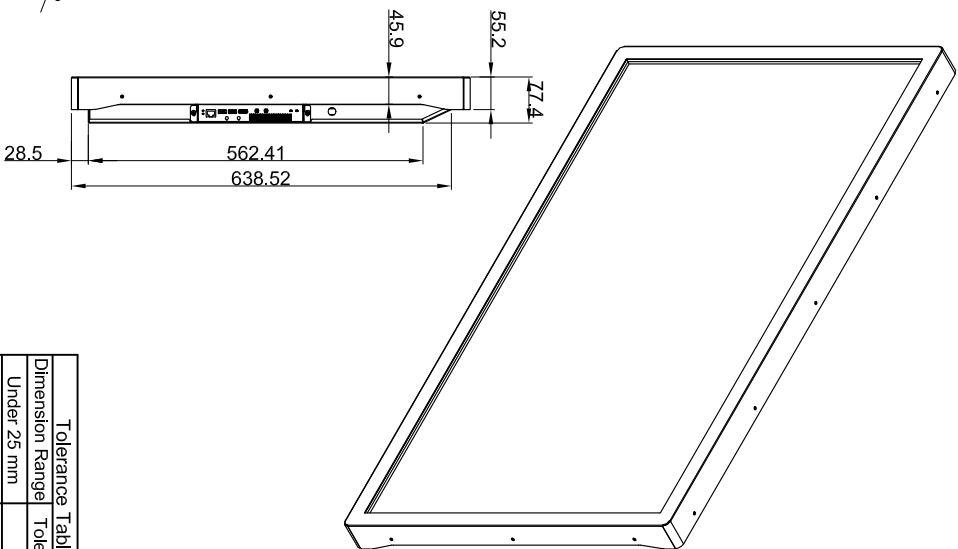
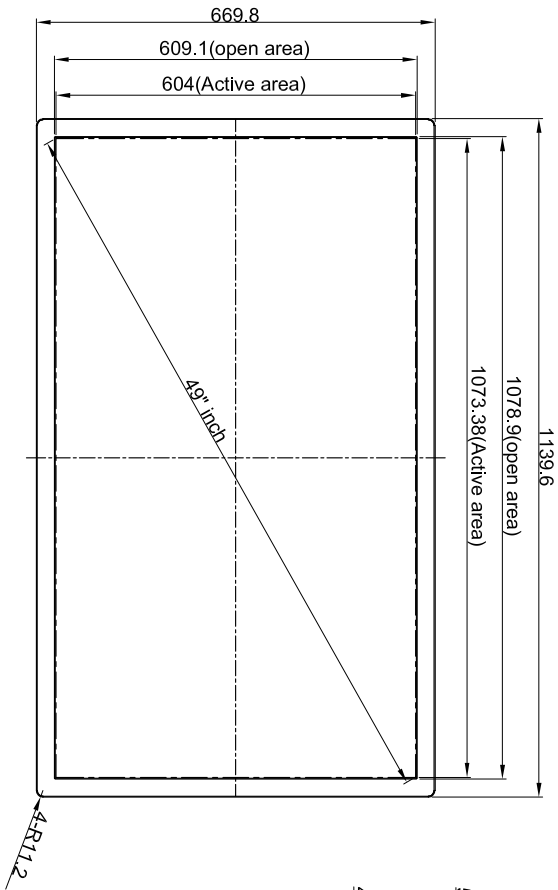
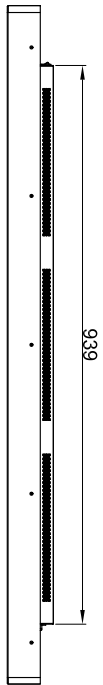


2

1



Tolerance Table	
Dimension Range	Tolerance(mm)
Under 25 mm	0.1
25.1-100 mm	0.2
100.1-250 mm	0.4
250.1-400 mm	0.8
400.1-500 mm	1.5
500.1-630 mm	2.0
630.1-800 mm	2.5

TOLERANCING

UNLESS OTHERWISE SPECIFIED ALL DIMS ARE mm

X ±0.2

RADIUS ±0.15

.XX ±0.1

ANGLES ±0.5°

DO NOT SCALE DRAWING

Title: 49

Design:

Date: 2017/12/13

Material: SPCC

Scale: NTS

Dwg No:

Sheet: 1 of 2

Var: 01

By

Description

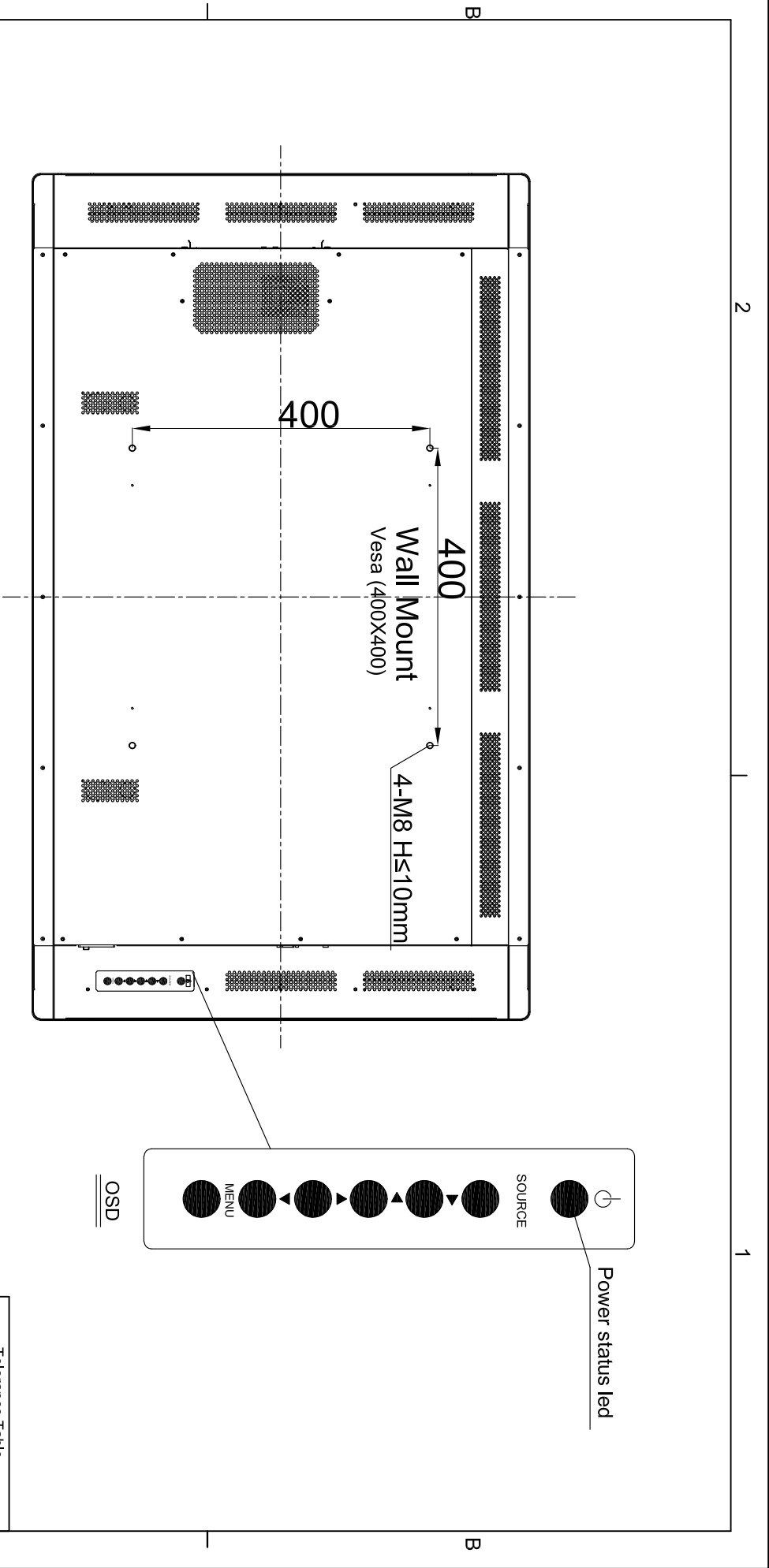
Date

Rev

2

1





Tolerance Table	
Dimension Range	Tolerance(mm)
Under 25 mm	0.1
25.1-100 mm	0.2
100.1-250 mm	0.4
250.1-400 mm	0.8
400.1-500 mm	1.5
500.1-630 mm	2.0
630.1-800 mm	2.5

TOLERANCING

UNLESS OTHERWISE SPECIFIED ALL DIMS ARE mm

X ±0.2 RADIUS ±0.15

.XX ±0.1 ANGLES ±0.5°

DO NOT SCALE DRAWING

Rev	Date	Description	By

Title: 49		Material: SPCC		Scale: NTS	
Design:	2017.12.13	Sheet:	2 of 2	Var:	01
Dwg No:					